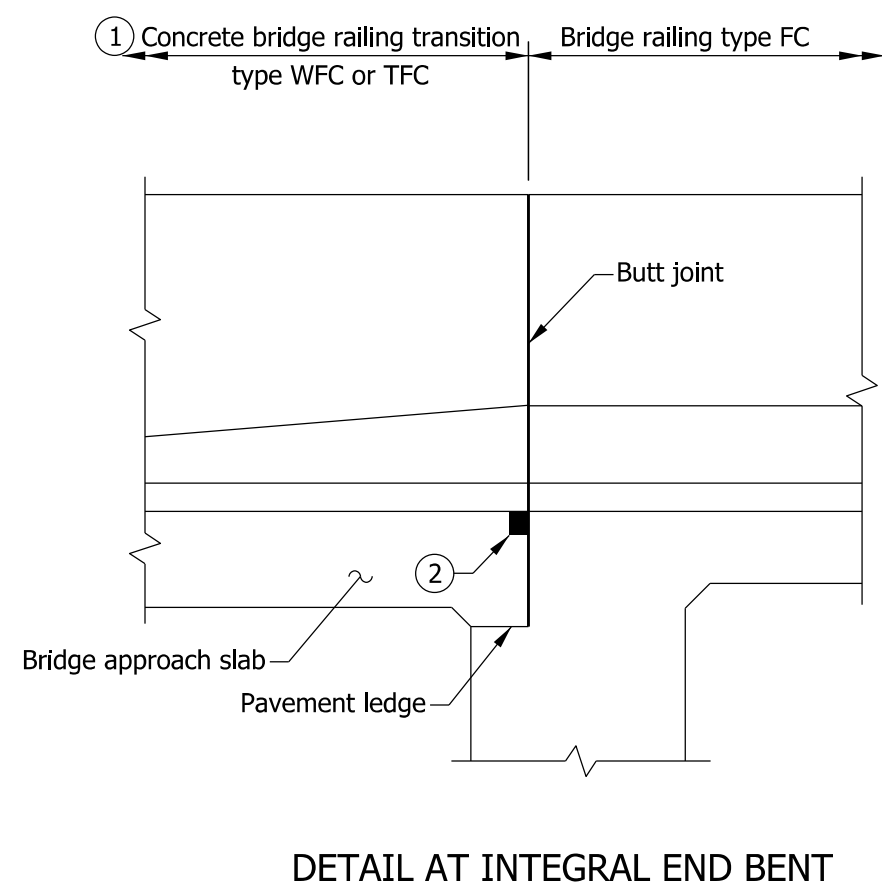


PART ELEVATION

SECTION A-A

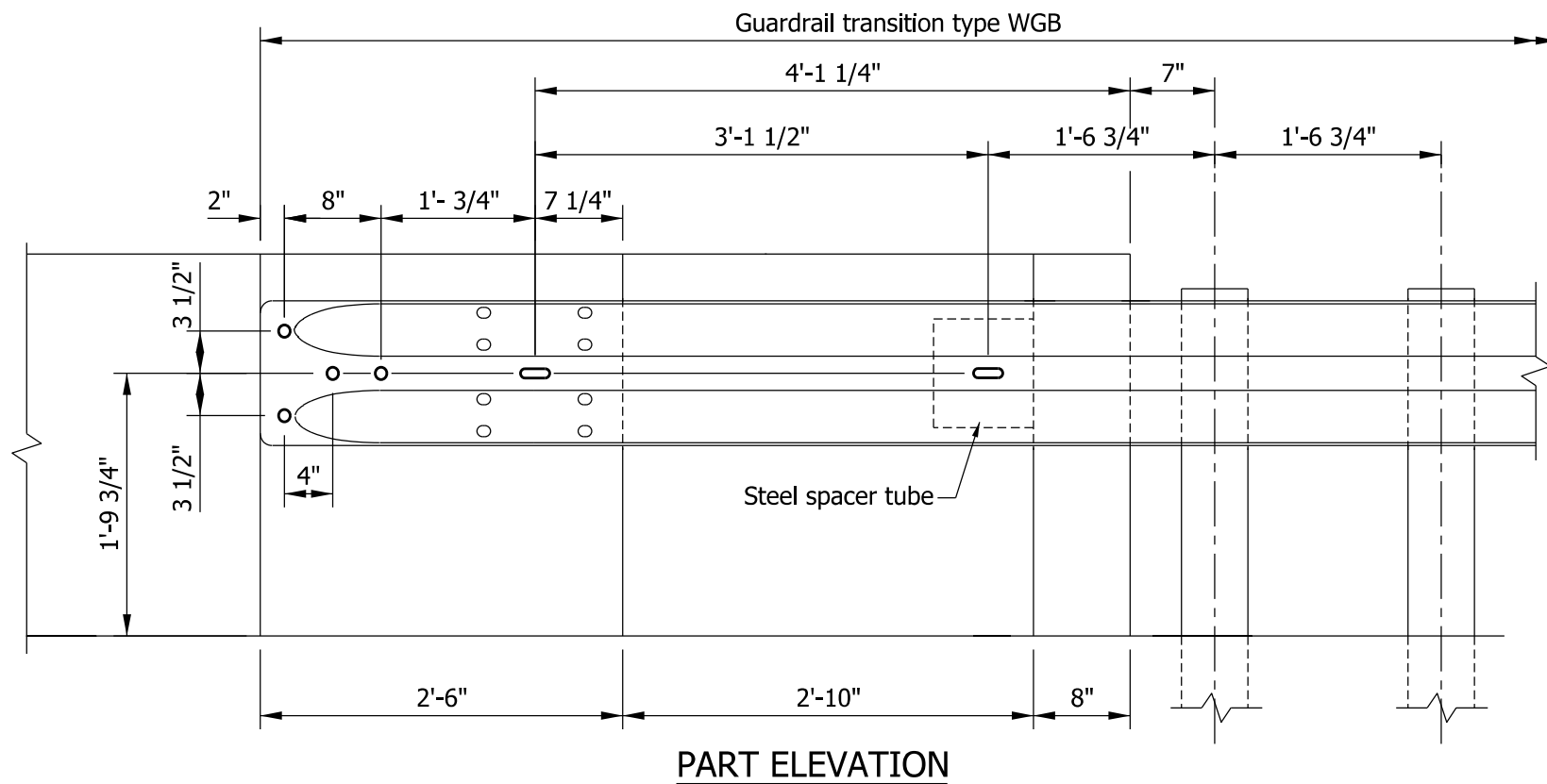
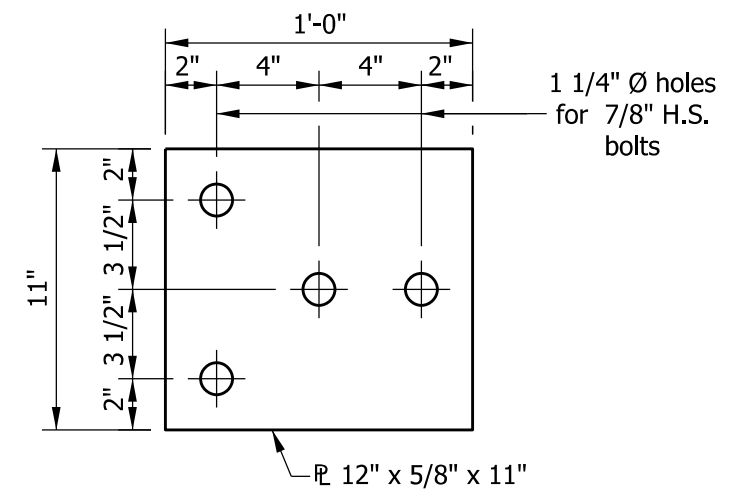
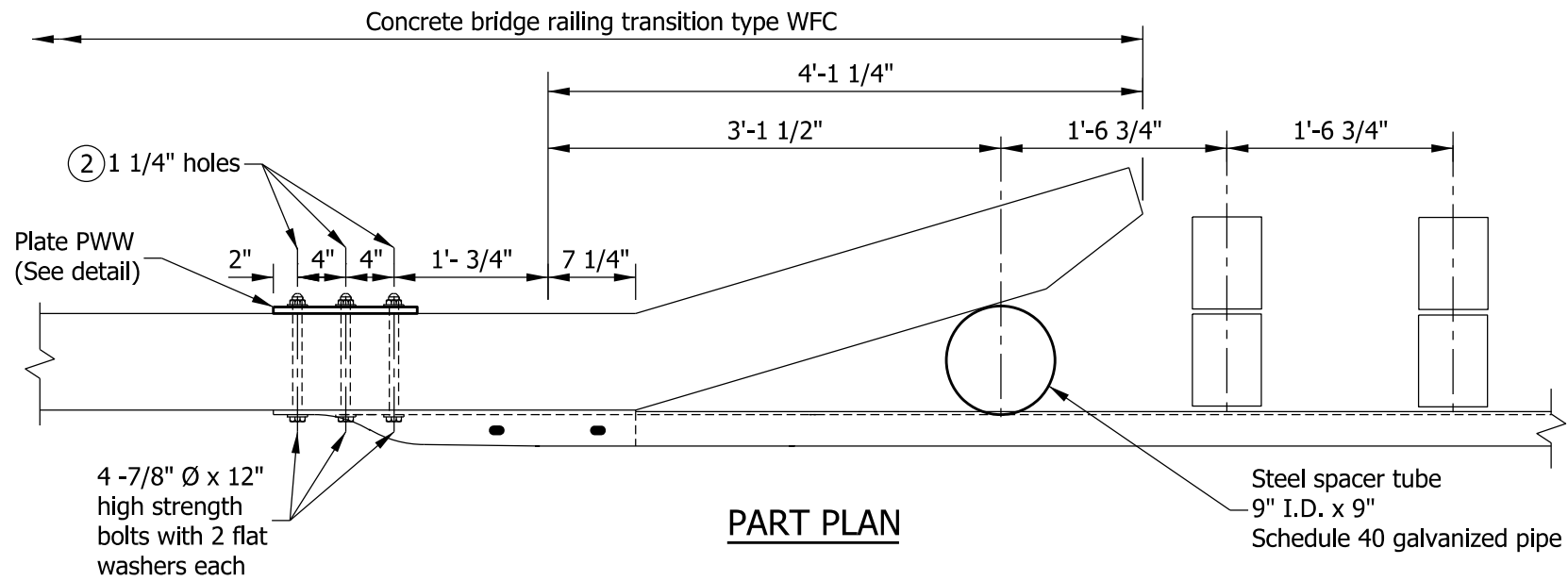


DETAIL AT INTEGRAL END BENT

NOTES

- ① See Standard Drawings E 706-TWFC-01 through -03 for concrete bridge railing transition type WFC. See Standard Drawings E 706-TTFC-01 through -03 for concrete bridge railing transition type TFC.
- ② See Standard Drawing E 609-BRJT-01 for joint type I-A.
- ③ This shall be part of the concrete bridge railing, but it shall be poured with the concrete bridge-railing transition. The minimum length shall be equal to the width of the mudwall. See Standard Drawing E 706-BRSF-01 for bridge railing type FC dimensions.
- 4. See Standard Drawing E 703-BRST-01 for reinforcing-bar bending details and notes.

INDIANA DEPARTMENT OF TRANSPORTATION	
BRIDGE RAILING TRANSITION WFC OR TFC DETAILS AT END BENT	
SEPTEMBER 2012	
STANDARD DRAWING NO. E 706-CBRT-01	
	/s/ <i>Richard L. VanCleave</i> 09/04/12 SUPERVISOR, ROADWAY STANDARDS DATE
	/s/ <i>Mark A. Miller</i> 09/04/12 CHIEF ENGINEER DATE



NOTES

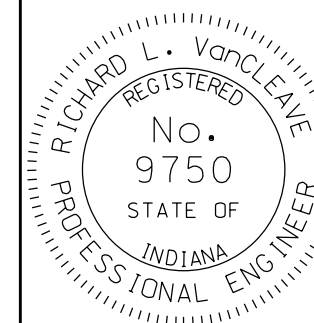
1. See Standard Drawing E 706-TWFC-01 through -03 for concrete bridge railing transition type WFC. See Standard Drawings E 601-TWGB-01 through -03 for guardrail transition type WGB .
2. Prefomed holes, for connection of the guardrail transition type WGB to the end of the concrete bridge railing transition type WFC.

INDIANA DEPARTMENT OF TRANSPORTATION

BRIDGE RAILING TRANSITION WFC
ATTACHMENT OF GUARDRAIL

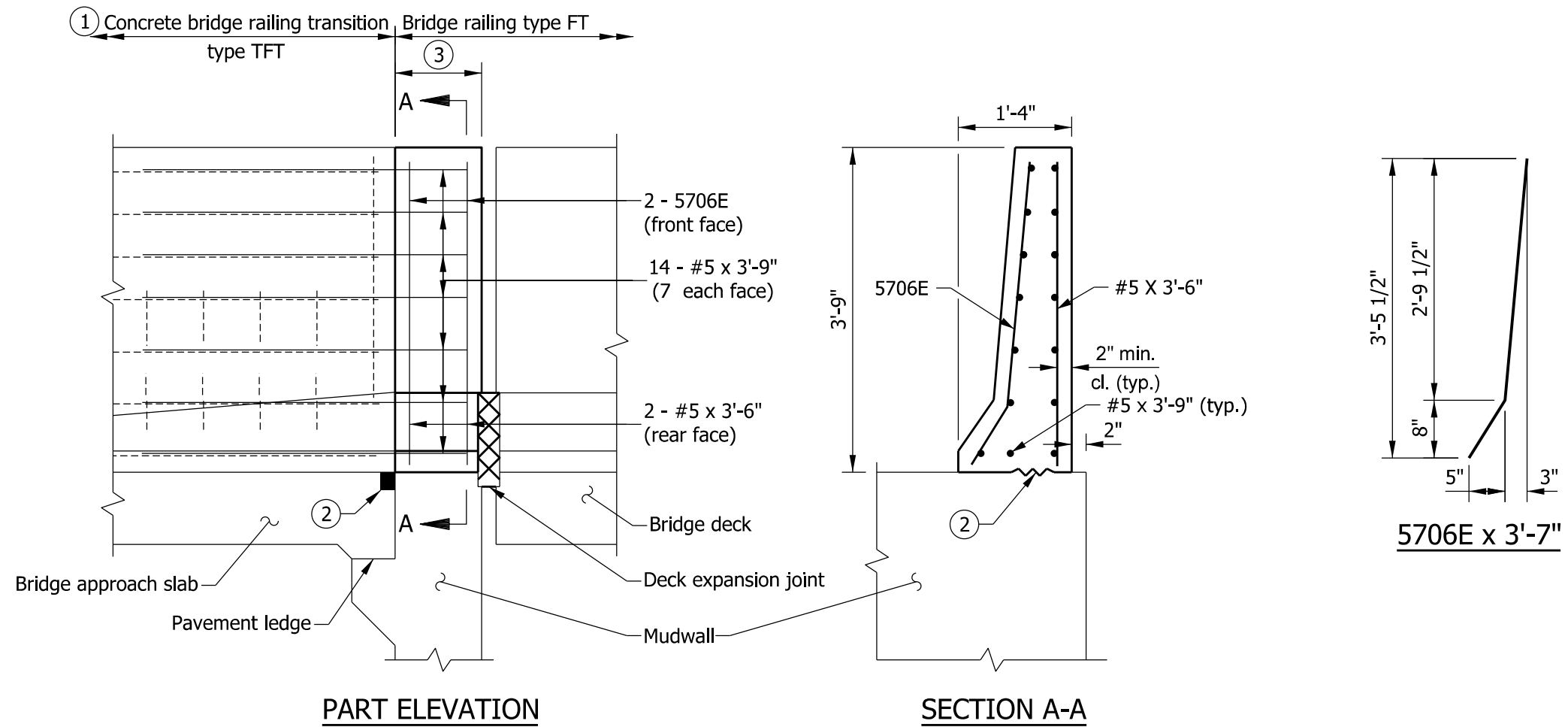
SEPTEMBER 2012

STANDARD DRAWING NO. E 706-CBRT-02



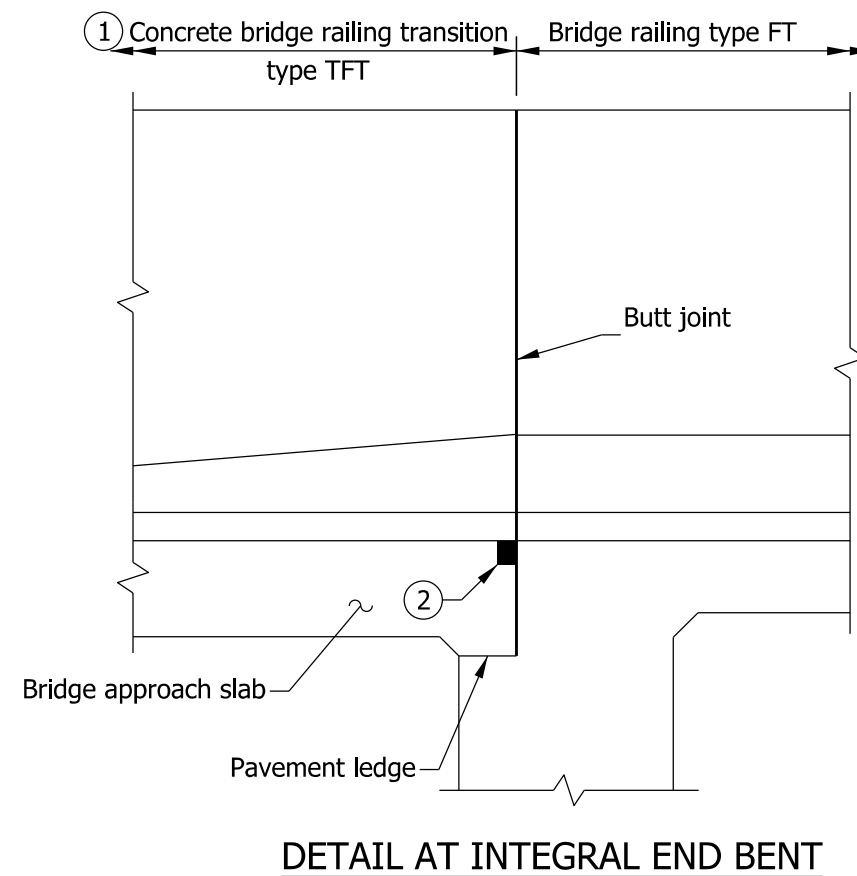
/s/ *Richard L. VanCleave* 09/04/12
SUPERVISOR, ROADWAY STANDARDS DATE

/s/ *Mark A. Miller* 09/04/12
CHIEF ENGINEER DATE

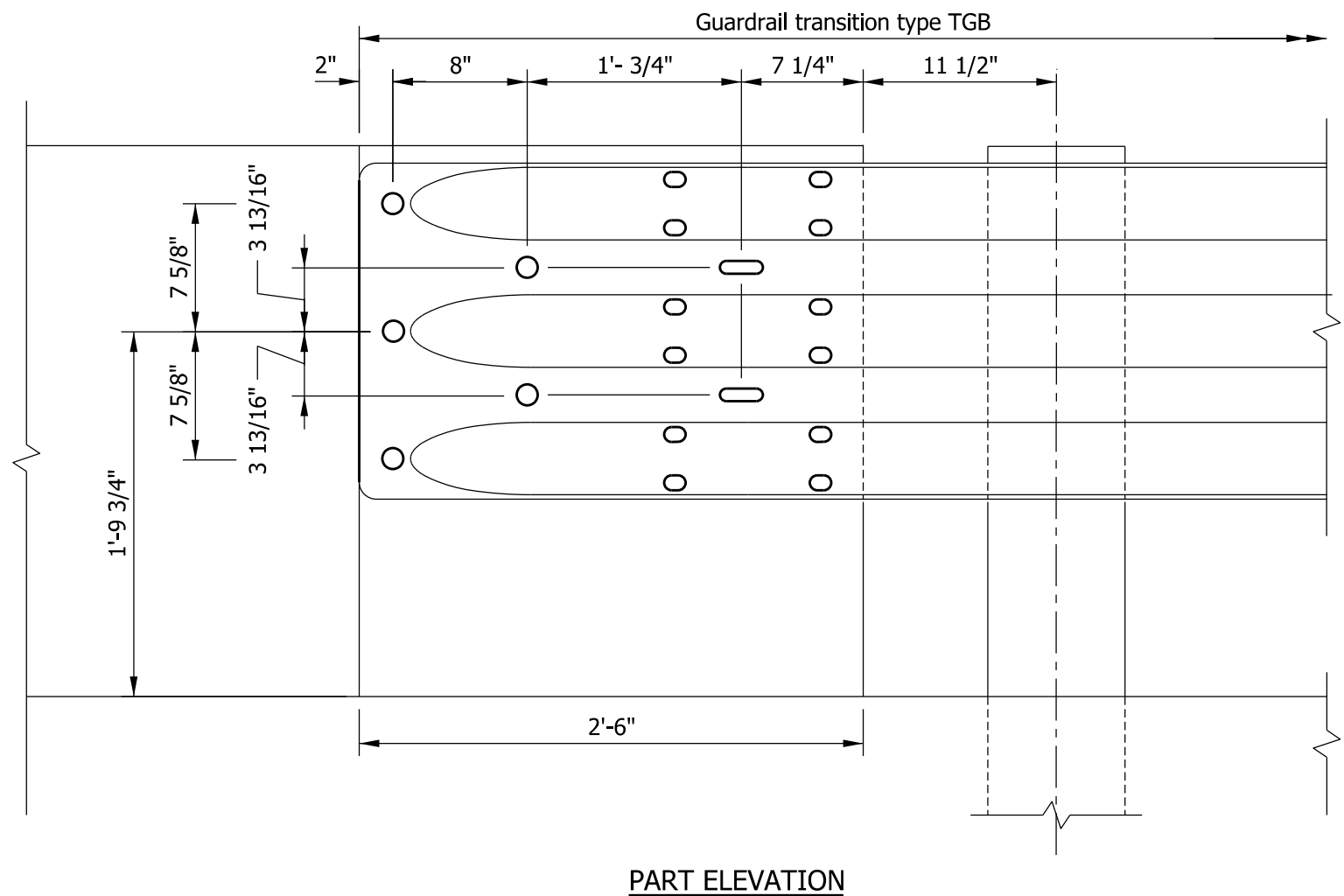
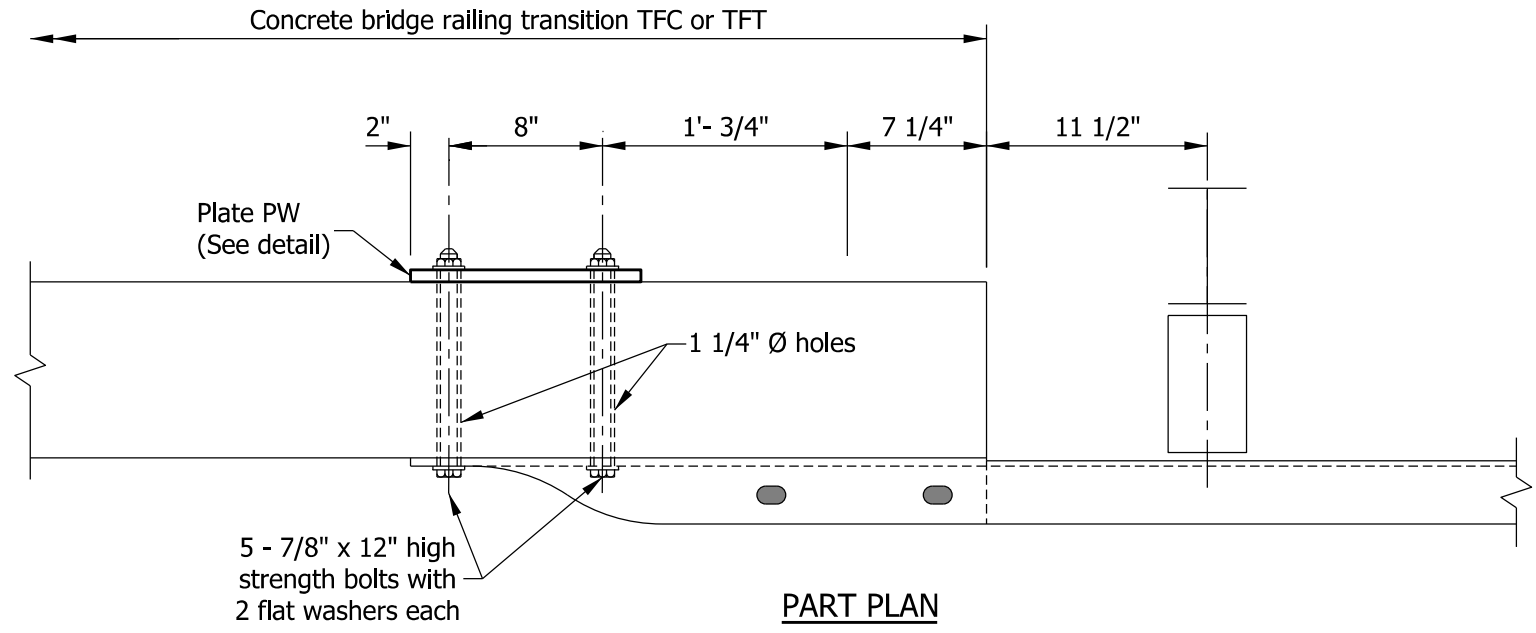


NOTES

- ① See Standard Drawings E 706-TTFT-01 through -03 for concrete bridge railing transition type TFT details.
- ② See Standard Drawing E 609-BRJT-01 for joint type I-A.
- ③ This shall be part of the concrete bridge railing, but it shall be poured with the concrete bridge-railing transition. The minimum length shall be equal to the width of the mudwall. See Standard Drawing E 706-BRSF-02 for bridge railing type FT dimensions.
4. See Standard Drawing E 703-BRST-01 for reinforcing-bar bending diagrams and notes.

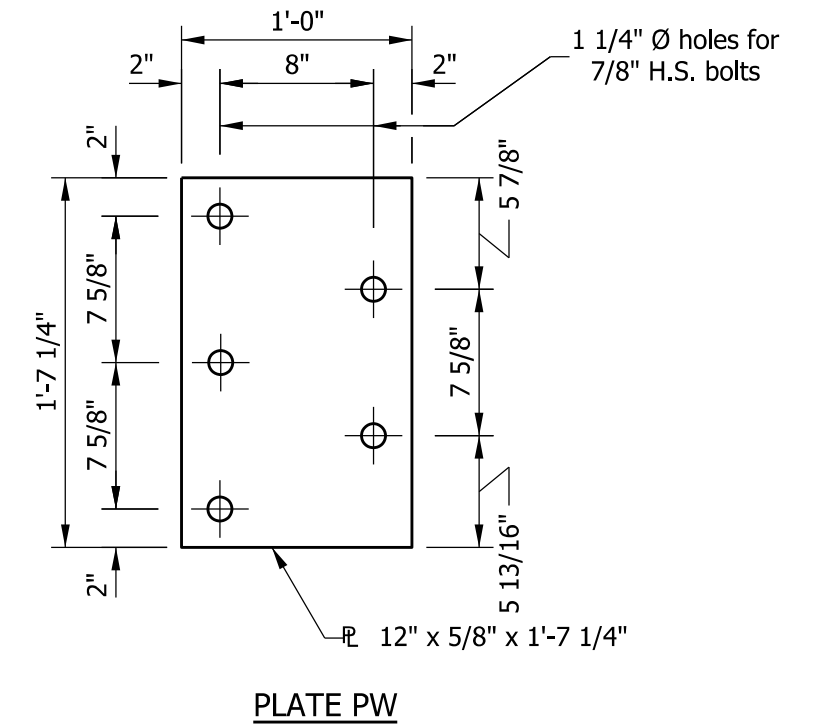


INDIANA DEPARTMENT OF TRANSPORTATION	
BRIDGE RAILING TRANSITION TFT DETAILS AT END BENT	
SEPTEMBER 2012	
STANDARD DRAWING NO.	E 706-CBRT-03
	/s/ <i>Richard L. VanCleave</i> 09/04/12
	SUPERVISOR, ROADWAY STANDARDS DATE
	/s/ <i>Mark A. Miller</i> 09/04/12
	CHIEF ENGINEER DATE



NOTES

1. See Standard Drawings E 706-TTFC-01 through -03 for concrete bridge railing transition type TFC. See Standard Drawings E 706-TTFT-01 through -03 for concrete bridge railing transition type TFT. See Standard Drawings E 601-TTGB-01 through -05 for guardrail transition type TGB.
2. Prefomed holes, for connection of the guardrail transition type TGB to the end of the concrete bridge railing transition type TFC or TFT.



INDIANA DEPARTMENT OF TRANSPORTATION	
BRIDGE RAILING TRANSITION TFC OR TFT ATTACHMENT OF GUARDRAIL	
SEPTEMBER 2012	
STANDARD DRAWING NO.	E 706-CBRT-04
	/s/ <i>Richard L. VanCleave</i> 09/04/12 SUPERVISOR, ROADWAY STANDARDS DATE
	/s/ <i>Mark A. Miller</i> 09/04/12 CHIEF ENGINEER DATE